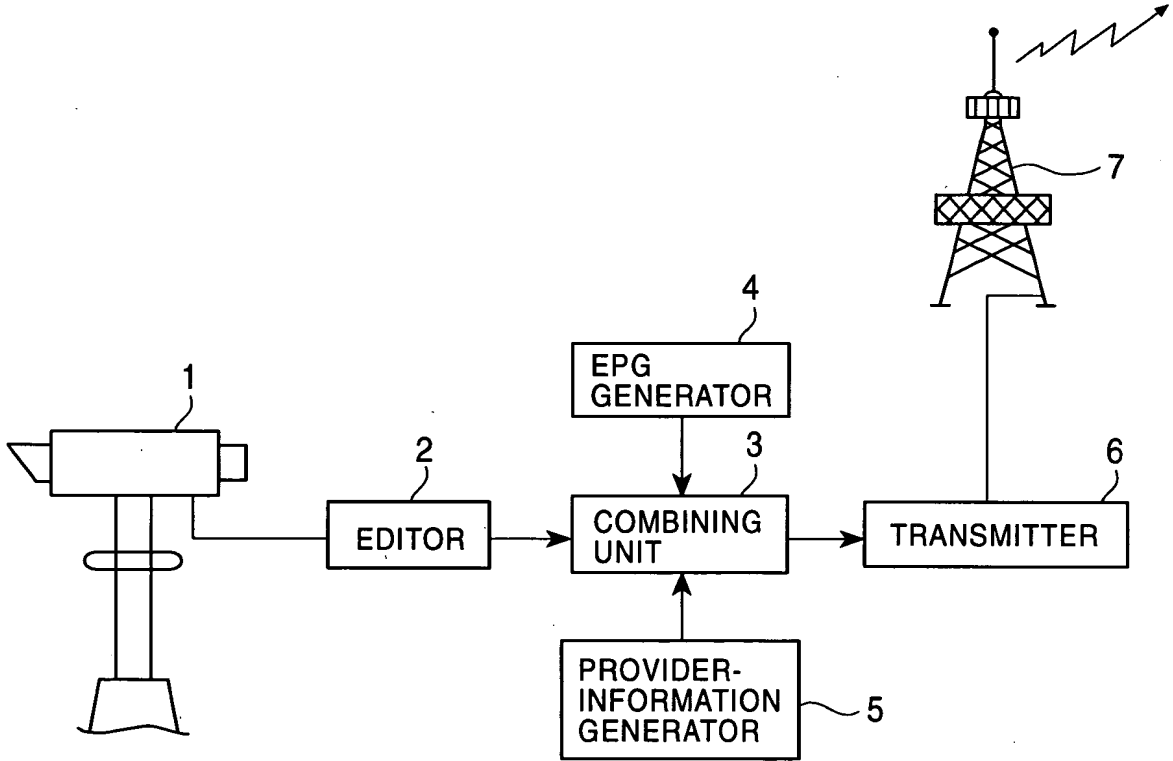


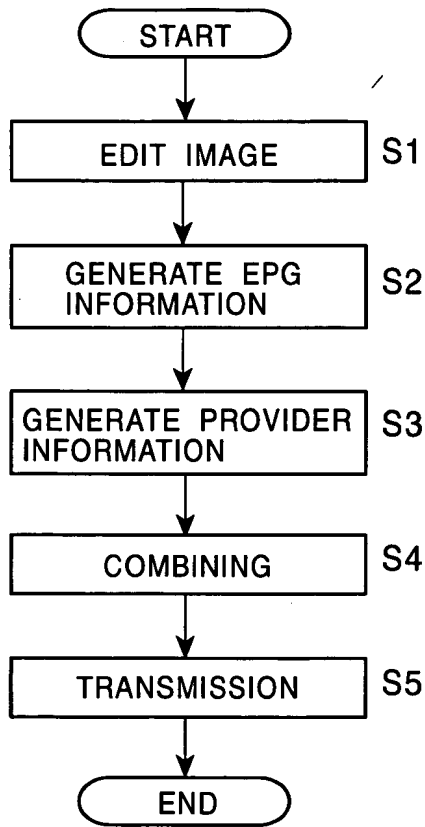
3/15/33
211
Flynn

FIG. 1



360° 360° 360°

FIG. 2



SECRET

FIG. 3

```
< PROVIDER TAG >
  ASAHI
< /PROVIDER TAG >
< BROADCAST FILE 1 >
  < BROADCAST DATE > DECEMBER 24, 1997, 16:00 - 16:10 < /BROADCAST DATE >
  < BROADCASTING STATION > SOGO < /BROADCASTING STATION >
  < PROGRAM NAME > NEWS < /PROGRAM NAME >
< /BROADCAST FILE 1 >
< BROADCAST FILE 2 >
  < BROADCAST DATE > DECEMBER 24, 1997, 16:00 - 16:10 < /BROADCAST DATE >
  < BROADCASTING STATION > KYOIKU < /BROADCASTING STATION >
  < PROGRAM NAME > UTAWA TOMODACHI < /PROGRAM NAME >
< /BROADCAST FILE 2 >
< BROADCAST FILE 3 >
  < BROADCAST DATE > DECEMBER 24, 1997, 16:00 - 16:30 < /BROADCAST DATE >
  < BROADCASTING STATION > NIPPON < /BROADCASTING STATION >
  < PROGRAM NAME > GINGA TETSUDO 999 < /PROGRAM NAME >
< /BROADCAST FILE 3 >
< BROADCAST FILE 4 >
  < BROADCAST DATE > DECEMBER 24, 1997, 16:00 - 16:30 < /BROADCAST DATE >
  < BROADCASTING STATION > TOKYO < /BROADCASTING STATION >
  < PROGRAM NAME > MITO KOMON < /PROGRAM NAME >
< /BROADCAST FILE 4 >
< BROADCAST FILE 5 >
  < BROADCAST DATE > DECEMBER 24, 1997, 16:00 - 16:30 < /BROADCAST DATE >
  < BROADCASTING STATION > FUJI < /BROADCASTING STATION >
  < PROGRAM NAME > ORYORI GANBARU < /PROGRAM NAME >
< /BROADCAST FILE 5 >
< BROADCAST FILE 6 >
  < BROADCAST DATE > DECEMBER 24, 1997, 16:00 - 16:45 < /BROADCAST DATE >
  < BROADCASTING STATION > ASAHI < /BROADCASTING STATION >
  < PROGRAM NAME > SUIYOU SUSPENSE < /PROGRAM NAME >
< /BROADCAST FILE 6 >
```

FIG. 4

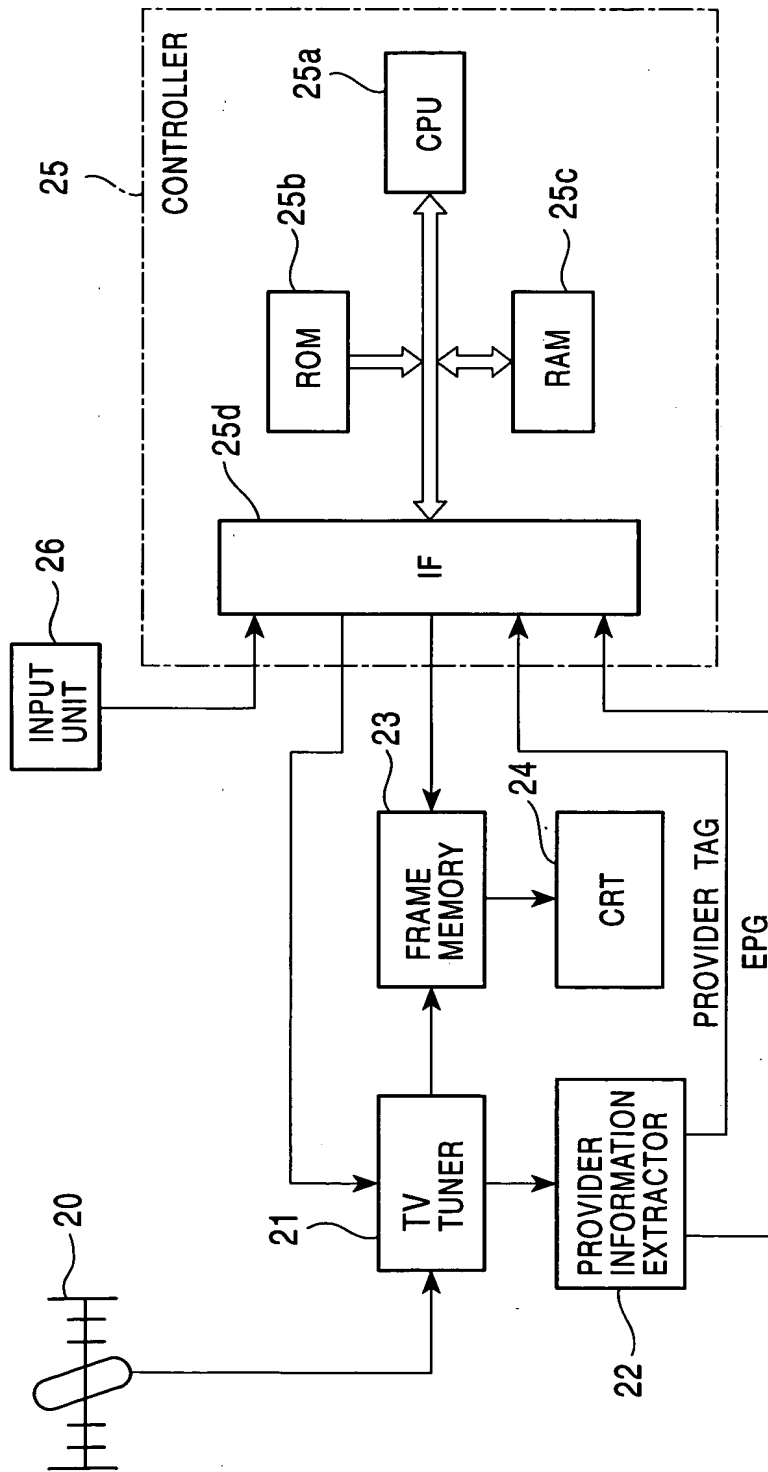
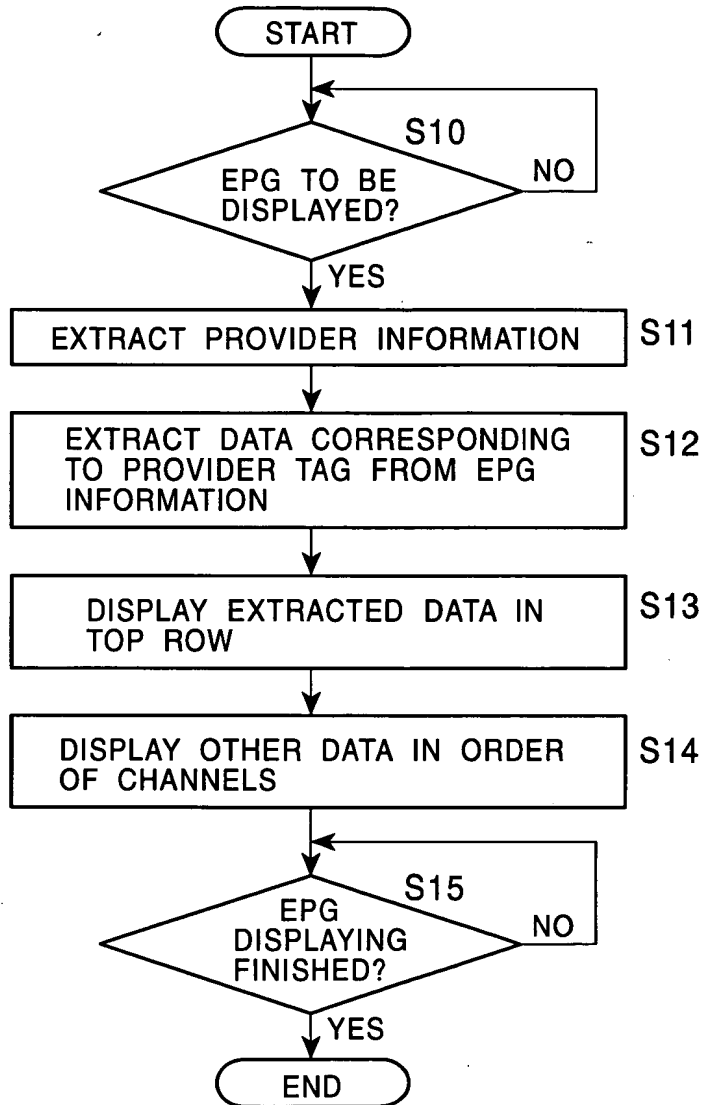


FIG. 5



SECRET

FIG. 6

	16 : 00		16 : 30			17 : 00	
ASAHI	SUIYO SUSPENSE			RYORI	SASURAI KEIJI KANJO-HEN		
SOGO	NE	ASAGA MAIRIMASHITA					
KYOIKU	UTA	ODO	ANI	HA	HITORIDE DE	OKASANTO	YAN
NIPPON	GINGA TETUDO 999			IENAKIKO			

FIG. 7

	16 : 00		16 : 30			17 : 00	
SOGO	NE	ASAGA MAIRIMASHITA					
KYOIKU	UTA	ODO	ANI	HA	HITORIDE DE	OKASANTO	YAN
NIPPON	GINGA TETUDO 999			IENAKIKO			
TOKYO	MITO KOMON			BOKUGA KANOJONI SHAKKIN			
FUJI	ORYORI GANBARU			SHINBAN! NAMA NAMA NAMA HOSO			
ASAHI	SUIYO SUSPENSE			RYORI	SASURAI KEIJI KANJO-HEN		

FIG. 8

	16 : 00		16 : 30		17 : 00		
ASAHI	SUIYO SUSPENSE			RYORI	SASURAI KEIJI KANJO-HEN		
NIPPON	GINGA TETUDO 999		IENAKIKO				
SOGO	NE	ASAGA MAIRIMASHITA					
KYOIKU	UTA	ODO	ANI	HA	HITORIDE DE	OKASANTO	YAN

SOGO ELECTRO

FIG. 9

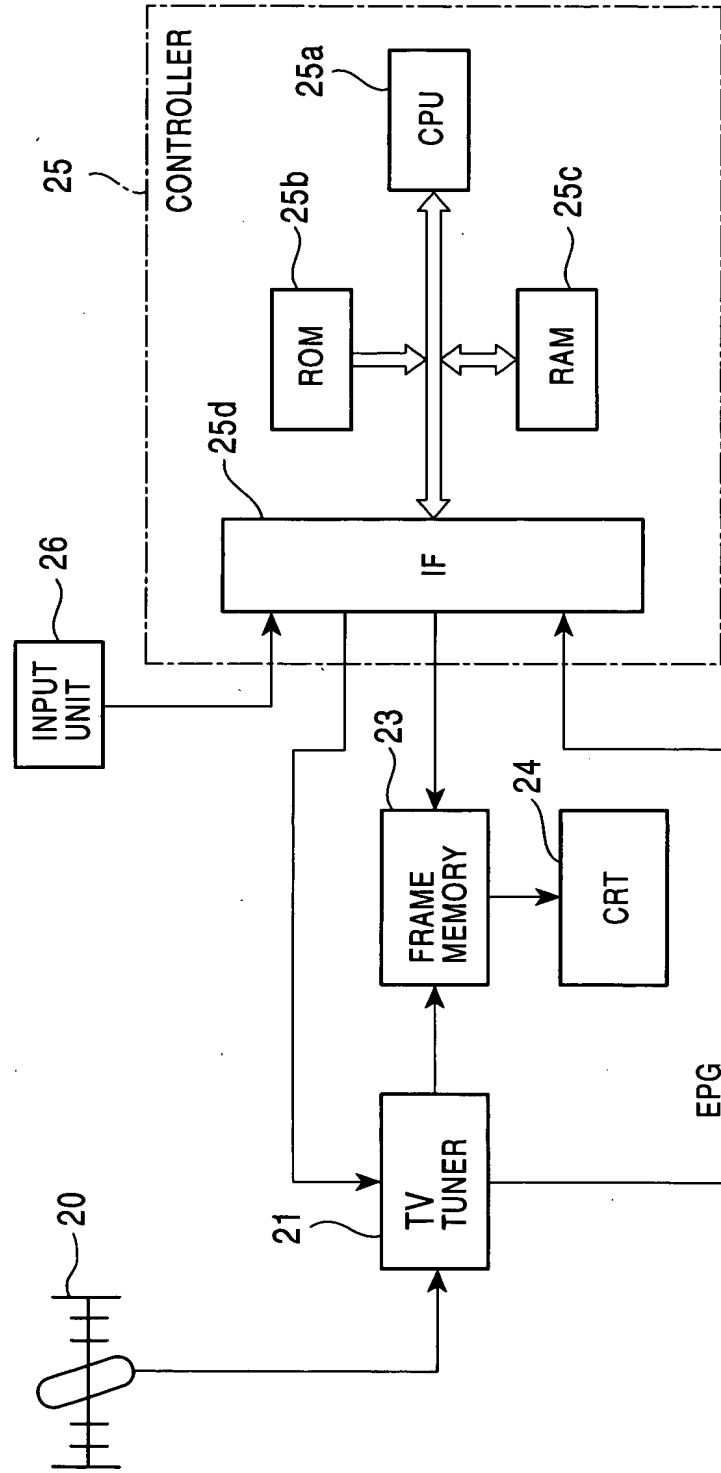
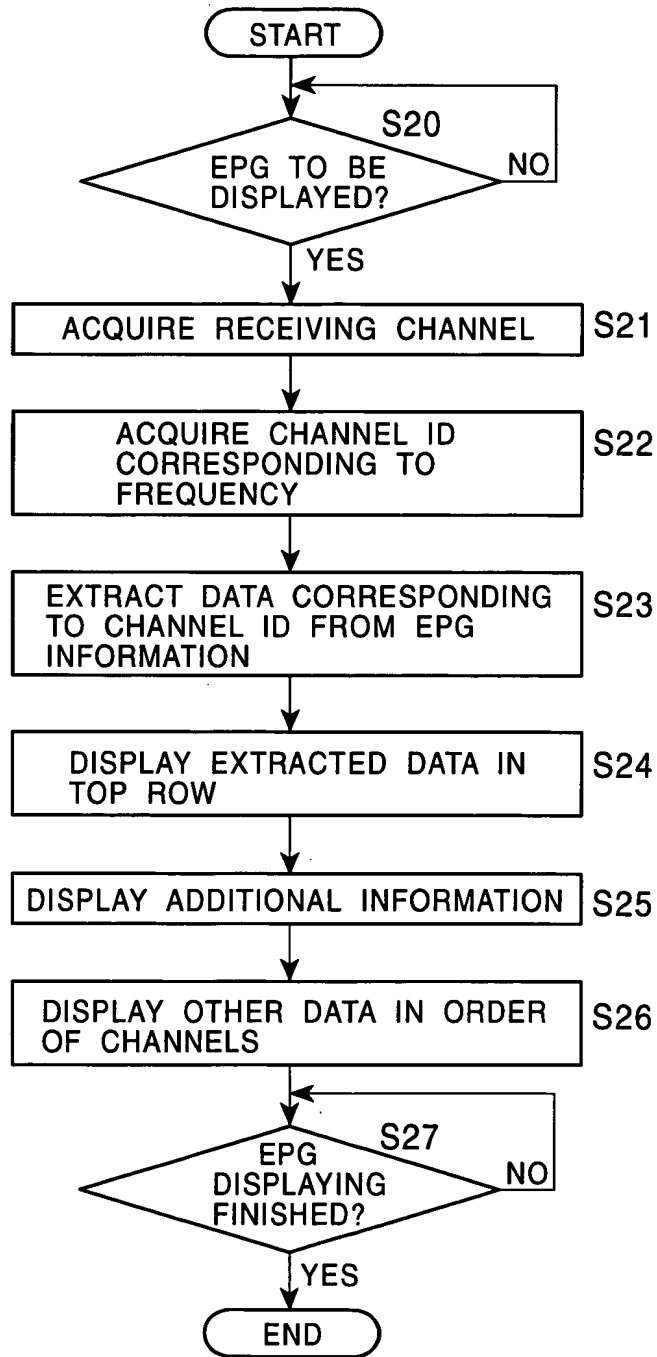


FIG. 10



SECRET

FIG. 11

FREQUENCIES	CHANNEL IDS
90 - 96	SOGO
102 - 108	KYOIKU
170 - 176	NIPPON
182 - 188	TOKYO
192 - 198	FUJI
204 - 210	ASAHI

FIG. 12

	16 : 00	16 : 30	17 : 00
ASAHI	SUIYO SUSPENSE "MIKKAINO SATSUJIN JIKEN" NAKAO KIYO MORIMOTO REO MATUSHIMA SHIN-ICHI YOSHIDA KAZUKO		RYORI KANINO MUSHI SASURAI KEIJI KANJO-HEN "SHISANKA KIETA" NISHIDA MAKOTO
SOGO	NE	ASAGA MAIRIMASHITA	
KYOIKU	UTA	ODO	ANI HA HITORIDE DE OKASANTO YAN
NIPPON	GINGA TETUDO 999		IENAKIKO

SECRET 0904760

SECRET

FIG. 13

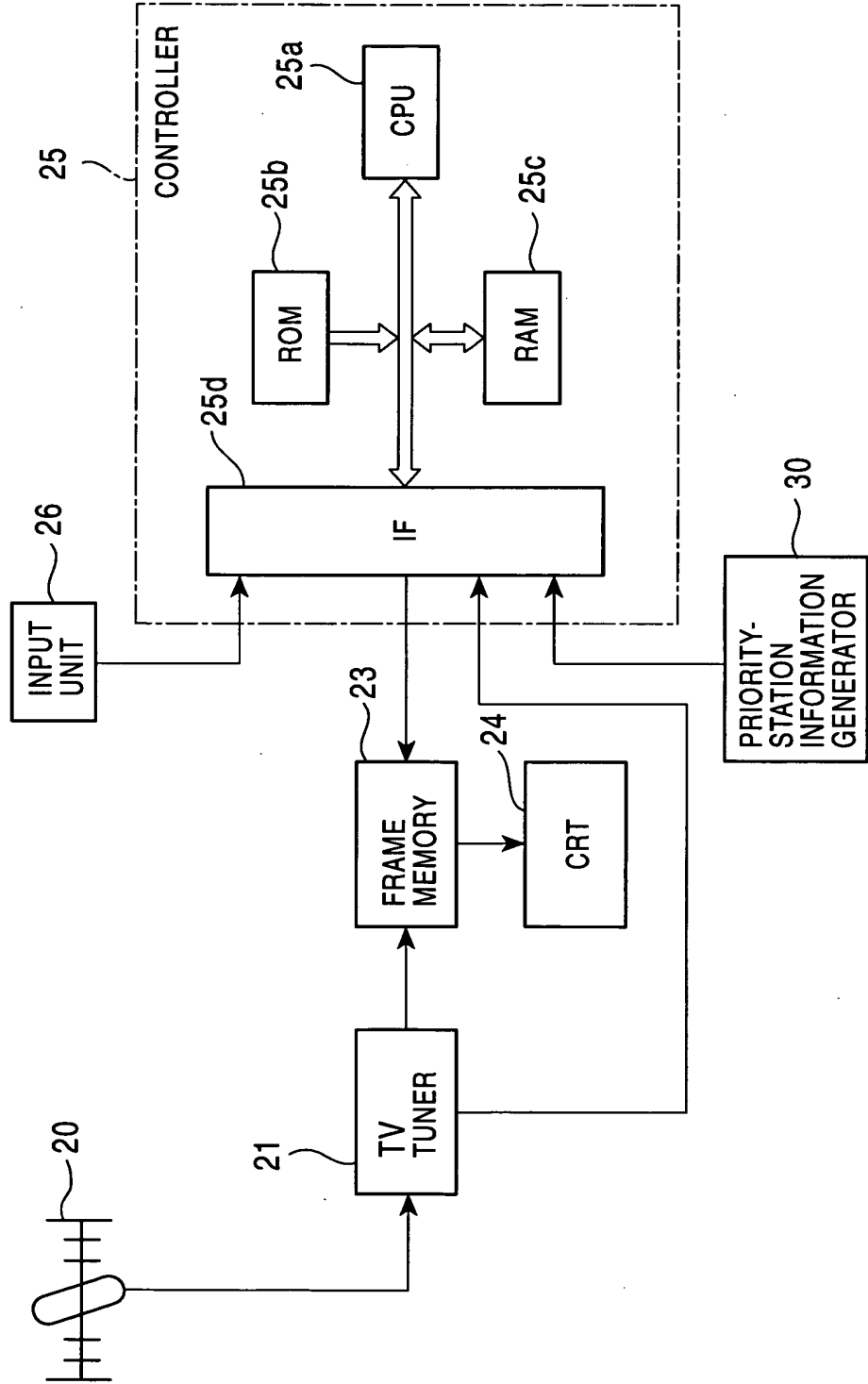
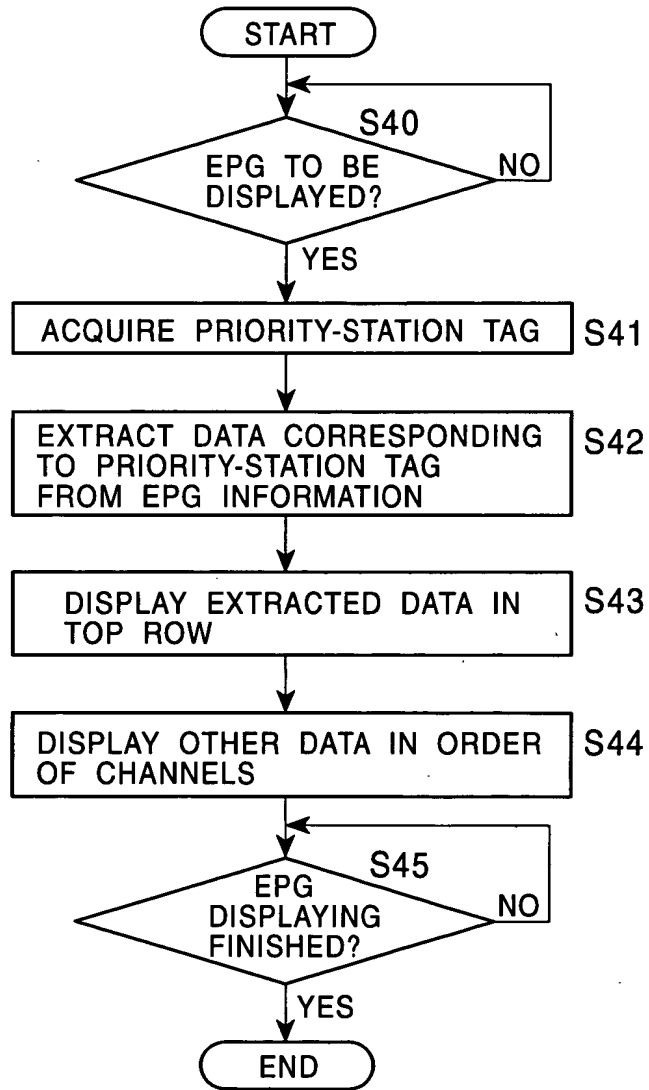


FIG. 14



SECRET